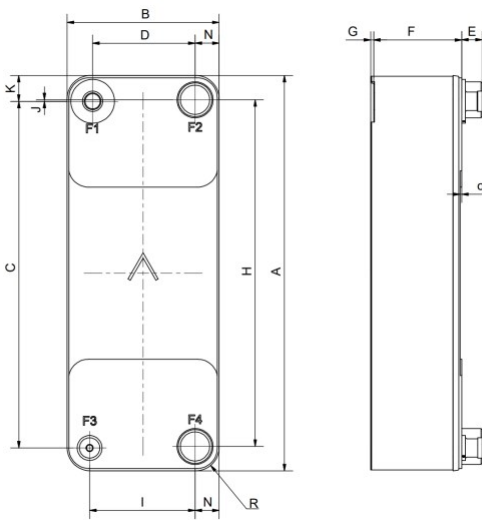


# SWEP PI190

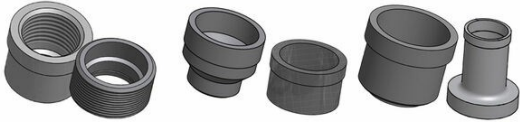
The PI190 from SWEP is a high-efficiency, single-circuit evaporator, especially (or particularly) developed for air- and water-cooled reversible chiller applications using low-GWP refrigerants. The compact design with next generation AsyMatrix® plate pattern, improves the heat transfer while drastically reducing water pressure drop and refrigerant charge. The PI190 has an effective operating range from 60 to 150 kW.



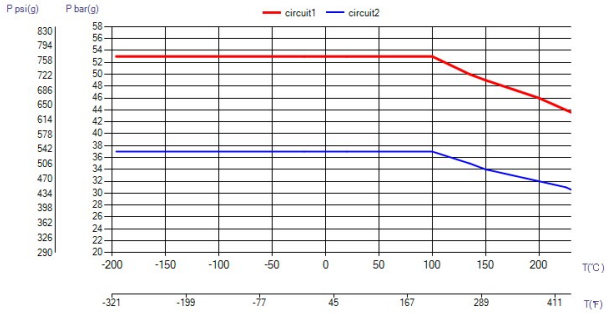
<b>Maximum number of plates (NoP)</b>	140
<b>Max flow</b>	28 m <sup>3</sup> /h (123.28 gpm)
<b>Channel volume</b>	0.149/0.172 dm <sup>3</sup> (0.0053/0.0061 ft <sup>3</sup> )
<b>Material</b>	316 Stainless Steel Plates, Cover Plates in 304 Stainless Steel, Copper Brazing
<b>Weight excl. connections</b>	6.45+(0.289*NoP) kg 14.22+(0.637*NoP) lb
<b>Max Particle Size (mm)</b>	0.8



#	MM	IN
A	524.50	20.65
B	202	7.95
C	460	18.11
D	136	5.35
F	10,00+1,91*(NoP)	0.39+0.08 *(NoP)
G	2	0.08
H	460	18.11
I	140	5.51
J	2	0.08
K	34.30	1.35
N	32	1.26
O	2	0.08
R	30	1.18
E_1	27	1.06
E_2	54	2.13



Threaded Connection Victaulic Connection Solder Connection



## UL Tryck/Temperatur

